

GC5 Die Cast Paddle Latch

Features

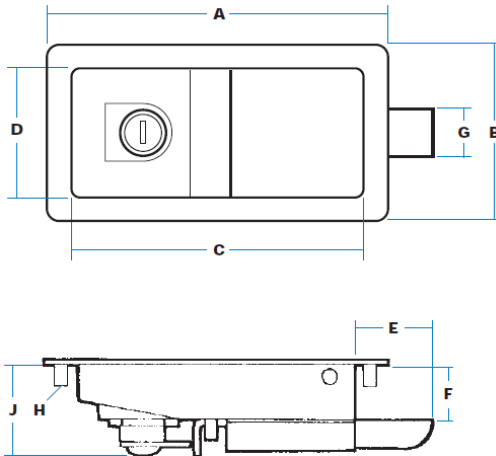
- Attractive, fully self-contained lock/latch, which is flush fitting and simple to install
- The smallest models in our 'paddle' range, with smooth, blended lines made possible by die cast construction
- Concealed fixing, textured finish and "no rattle" operation, with solid, machined steel slam bolt
- Basic model has slam-bolt fitment, but handle variants provide remote operation or 2-way function
- Locking with key blocks movement of flap but slam bolt is still free to operate and can be opened from inside if release knob is fitted
- Non-handed

Material

- Body: Die cast black powder coated, textured finish
- Bolt case and slide: Stainless steel

Notes

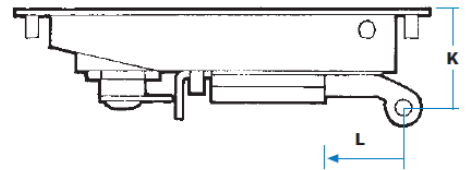
- Concealed-fixing from beneath into four tapped bosses on handle rim
- Slam bolt withdraws by 10 mm max
- 'FS' keys as standard with shuttered keyway. Optionally 'FT' '92' or 'DLP' key types also available
- Special options include inside release knob on slam-bolt models



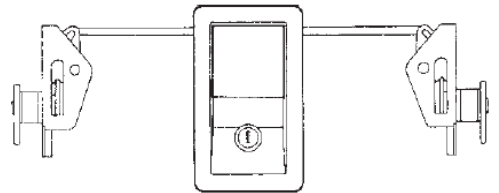
GC5-G00450
(with slam-bolt)

Slam-bolt model with interior release knob

Remote operation model (Illustration)



2-way operation model



Scheme shows 'paddle' vertical, with two 'claw' latches. Alternatively two slam latches can be fitted, using standard linkage bar (G12497) at length 915 mm (cut to size). Movement is 13 mm approximately at each side.

Part No.	Description	Key	A	B	C	D	E	F	G	H	J	K	L
GC5-G00450	Slam-Bolt	Standard	136	82	120	66	28	20	19	10-32 UNF x 8 mm	35	36	-
GC5-G00450-01		FS880											-
GC5-G00453	Remote Operation	Standard											-
GC5-G00453-01		FS880											10
GC5-G00457	2-Way	Standard											-
GC5-G00457-01		FS880	-										